

Industrial Versatile Cellular Router & 4G DTU supports RS485 & DI & DO, WiFi and Dual SIM Cards



Outstanding Features

- Versatile 4G router combines a 4G LTE and 4G DTU
- Compact and the rugged design ensures it works in harsh environments
- 3G/4G LTE CAT4 wireless connection
- Supports RS232/RS485 and Modbus RTU/TCP
- Provide DI / DO remote control
- Support various VPN remote connection
- Support dual SIM cards and fail-over for a robust connection
- Support centralized management via the cloud
- Supports Wi-Fi access that complies with 802.11b/g/n
- Compact and rugged design with Cast aluminum enclosure
- Support DC 9-48V wide voltage input
- Wide operating temperature range -40°C to +70°C or -40 °F to 158 °F

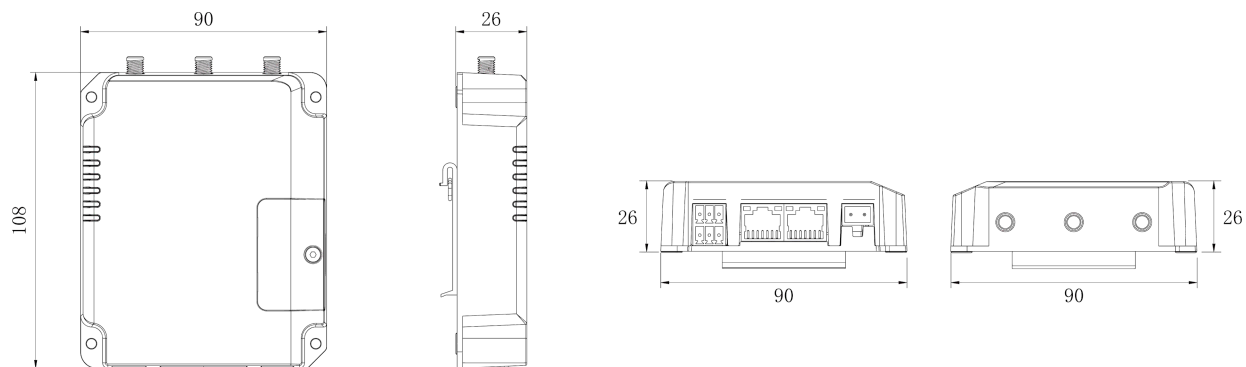
Specification

Hardware System	
CPU	528 MHz, ARM Cortex A7
Memory	128 MB Flash, 128 MB DDR3 RAM
Storage	1 × Micro SD
Ethernet Interface	
Ports	2 × RJ-45
Property	1 × WAN + 1 × LAN or 2 × LAN (PoE PSE Optional)
Physical Layer	10/100 Base-T (IEEE 802.3)
Data Rate	10/100 Mbps (Auto-Sensing)
Interface	Auto MDI/MDIX
Mode	Full or half duplex (Auto-Sensing)
Cellular Interfaces	
Connectors	2 × 50 Ω SMA (Center PIN: SMA Female)
SIM Slots	2
Wi-Fi Interface	
Connectors	1 × 50 Ω SMA (Center PIN: SMA Male)
Standards	IEEE 802.11b/g/n
Tx Power	802.11b: 16 dBm +/-1.5 dBm (11 Mbps) 802.11g: 14 dBm +/-1.5 dBm (54 Mbps) 802.11n: 13 dBm +/-1.5 dBm (65 Mbps, HT20/40 MCS7)
Modes	AP and Client mode
Security	WPA/WPA2 authentication, WEP/TKIP/AES encryption
GPS (Optional)	
Connectors	1 × 50 Ω SMA (Center PIN: SMA Female)
Protocols	NMEA 0183
Serial Interface	
Ports	1 × RS232
Connector	Terminal block
Baud Rate	300bps to 230400bps
IO	
Connector	Terminal block
Digital	1 × DI + 1 × DO
Software	
Network Protocols	PPP, PPPoE, SNMP v1/v2c/v3, TCP, UDP, DHCP, RIPv1/v2, OSPF, DDNS, VRRP, HTTP, HTTPS, DNS, ARP, QoS, SNMP, Telnet, VLAN, SSH, etc.
VPN Tunnel	DMVPN/IPsec/OpenVPN/PPTP/L2TP/GRE
Access Authentication	CHAP/PAP/MS-CHAP/MS-CHAPV2
Firewall	ACL/DMZ/Port Mapping/MAC Binding/SPI/URL Filter
Management	Web, CLI, SMS, On-demand dial up, DeviceHub
AAA	RADIUS, TACACS+, LDAP, Local Authentication
Multilevel Authority	Multiple Levels of User Authority
Reliability	VRRP, WAN Failover, Dual SIM Backup
Serial Port	Transparent (TCP Client/Server, UDP), Modbus Gateway (Modbus RTU to Modbus TCP)
Power Supply and Consumption	
Power Input Connector	2-pin with 5.08 mm terminal block
Input Voltage	9-48 VDC (48 V power input is needed for PoE output)
Power Consumption	Typical 1.9 W, Max 2.4 W (In Non-PoE mode)
Power Output	2 × 802.3 af/at PoE output (optional)

Specification

Physical Characteristics	
Ingress Protection	IP30
Housing & Weight	Metal, 271 g
Dimensions	108 x 90 x 26 mm (4.25 x 3.54 x 1.02 in)
Mounting	Desktop, Wall or DIN Rail Mounting
Others	
Reset Button	1 × RESET
LED Indicators	1 × POWER, 1 × SYSTEM, 1 × SIM, 3 × Signal strength
Environmental	
Operating Temperature	-40°C to +70°C (-40°F to +158°F) Reduced Cellular Performance Above 60°C
Storage Temperature	-40°C to +85°C (-40°F to +185°F)
Ethernet Isolation	1.5 kV RMS
Relative Humidity	0% to 95% (non-condensing) at 25°C/77°F

Dimensions (mm)



Ordering Information

Model	Band
ON-5520R (US)	FDD: B2/B4/B5/B12/B13/B14/B66/B71 WCDMA: B2/B4/B5